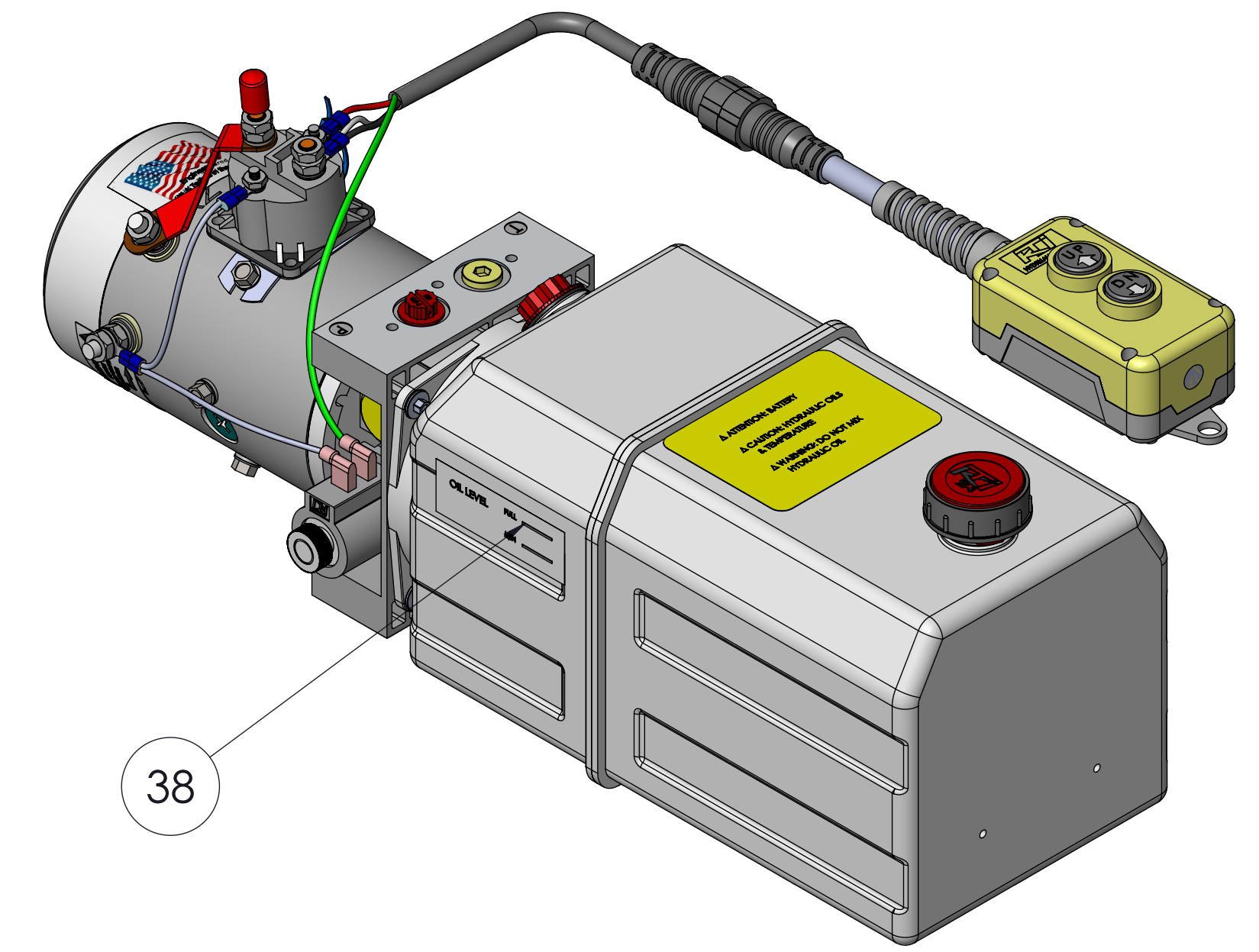
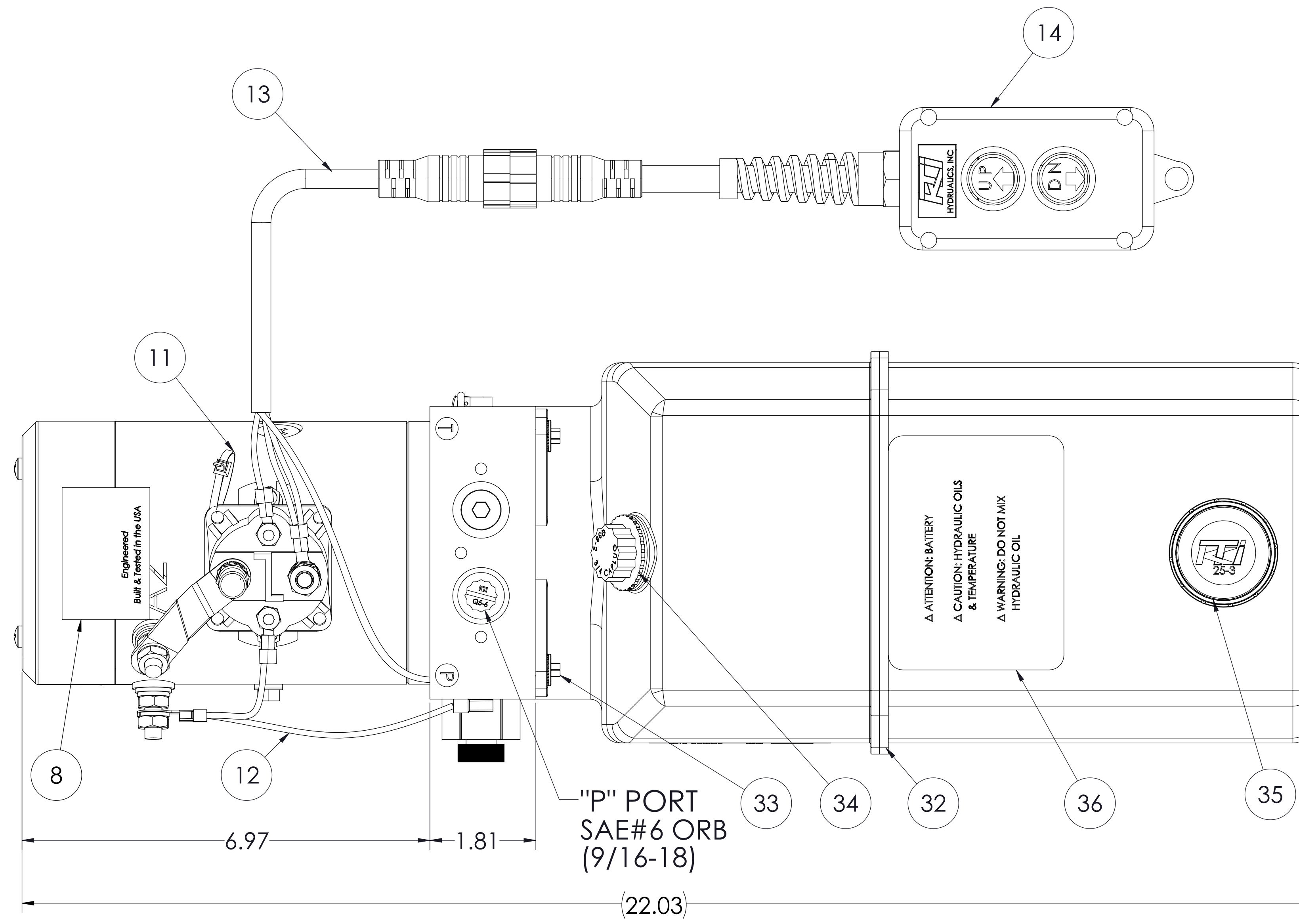
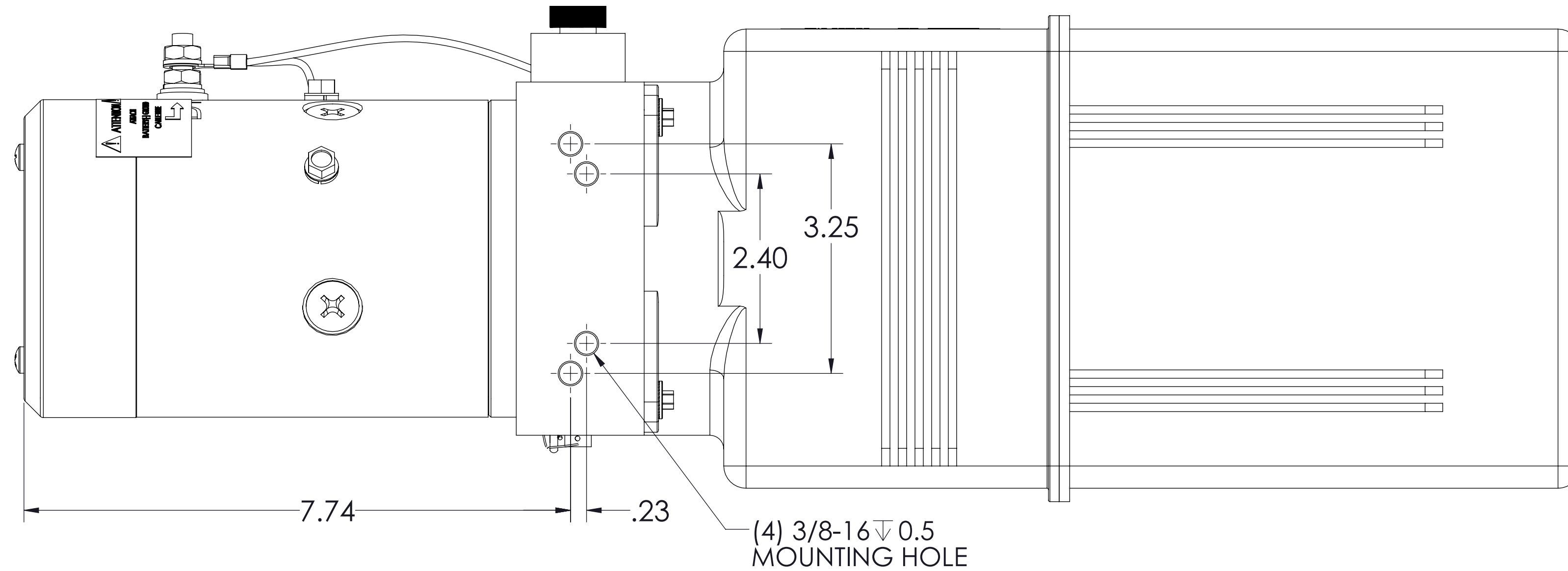
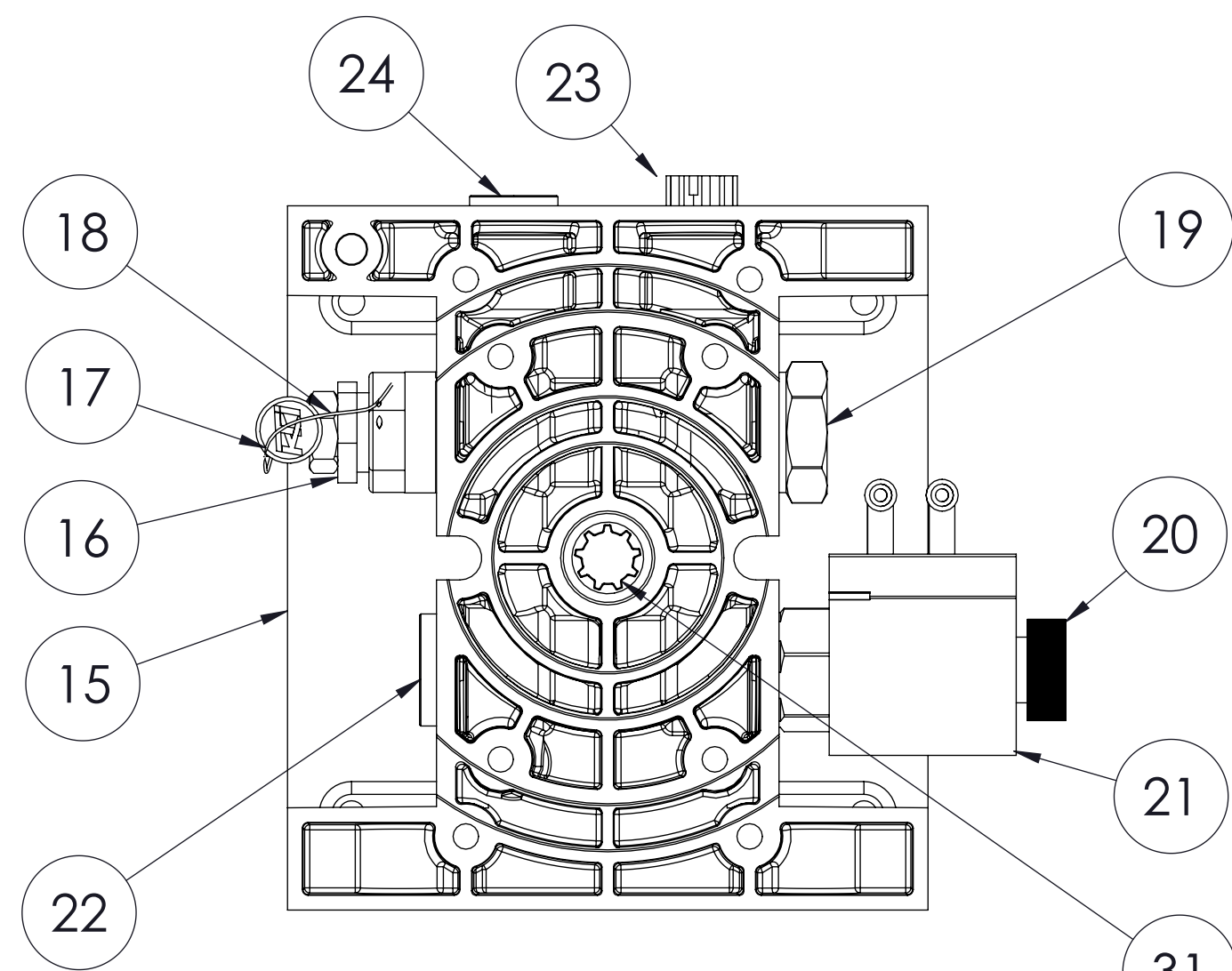
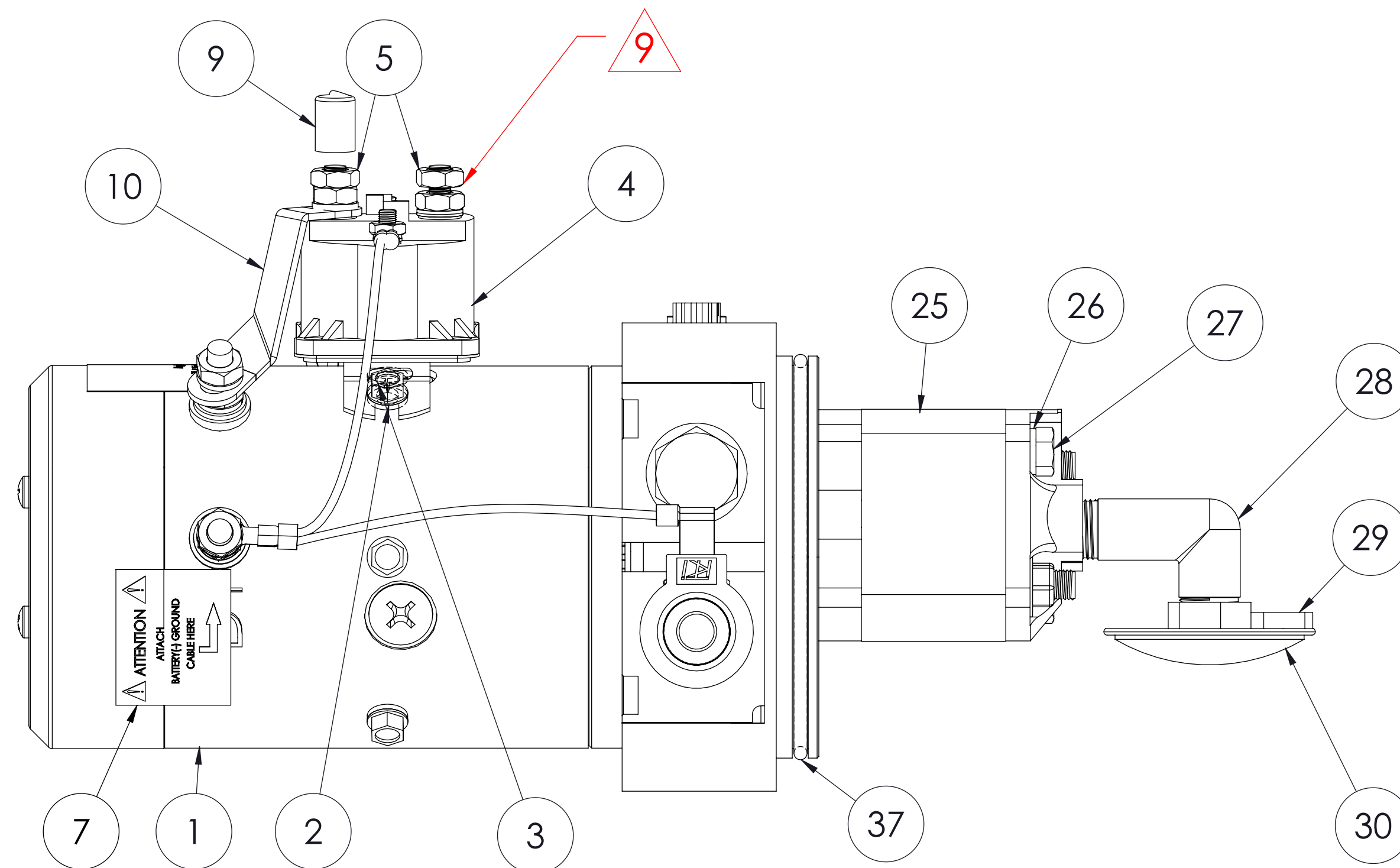
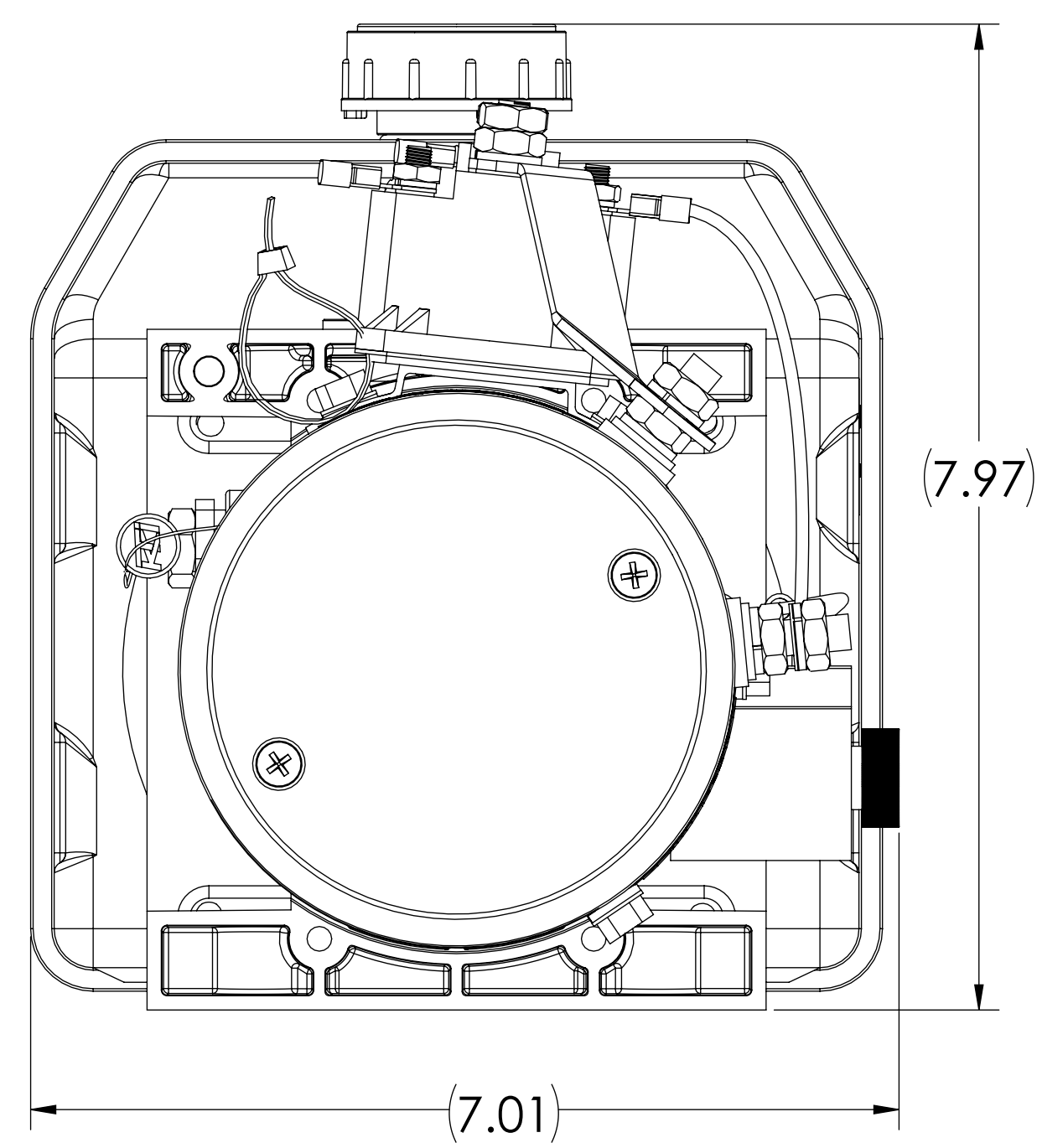


HYDRAULIC CIRCUIT: 103



REVISIONS				
REV	ECR	DESCRIPTION	DATE	APPROVED
A		CHANGE 1245-15 DC MOTOR TO 1245-18 TWO TERMINAL MOTOR	02/14/11	REE
B		UPDATE DRAWING TO MATCH CURRENT PRODUCTION	11/05/13	
C	1015-003	CHANGE REMOTE PENDANT FROM 395-22 TO 395-55 +74-06. CHANGE PIG TAIL 64-15 TO 74-04. CHANGE POWER WIRE FROM 27-1 TO POWER BAR 27-1005	10/30/15	



ITEM NO.	PART NUMBER	DESCRIPTION	QTY
1	1245-18	12V DC, (2) TERMINAL, ELECTRIC MOTOR	1
2	Q14-025	1/4" STEEL SPLIT LOCK WASHER	2
3	Q19-025-0038-23	1/4-20 X 3/8" STEEL HEX FLANGE HEAD SELF TAPPING SCREW	2
4	391-2-C	12V DC HEAVY DUTY PLASTIC START SOLENOID SWITCH /100 AMP	1
5	Q21-031	5/16-24 UNF HEX NUT	2
6	31-5	WARNING LABEL TAG, YELLOW, TORQUE SPEC (NOT SHOWN)	1
7	31-10	LABEL, BATTERY GROUND TO MOTOR GROUND TERMINAL	1
8	31-12	LABEL: AMERICAN FLAG, ENGINEERED, BUILT & TESTED IN USA	1
9	Q5-11	ROUND VINYL CAP PLUG, DIA 0.468" x 0.500", COLOR RED	1
10	27-1005	POWER BAR 1005 (MOTOR POWER TERMINAL TO SOLENOID POWER TERMINAL)	1
11	Q37-2	NYLON BLACK CABLE TIE 8"	1
12	27-34	GROUND WIRE (MOTOR GROUND TERMINAL TO SOLENOID GROUND TERMINAL & 1 COIL) FOR SINGLE ACTING	1
13	74-04	FEMALE SOLID MOLD TOWER HALF SHROUD CONNECTOR WITH 14 INCH CORD & 4 WIRES	1
14	395-55 + 74-06	2 BUTTON 4 WIRE REMOTE PENDANT WITH MALE SOLID MOLD CYLINDRICAL QD. & 15' EXTENSION CORD.	1
15	39201005B	KTI UNIVERSAL MANIFOLD	1
16	LRV-080	CARTRIDGE RELIEF VALVE, ADJUSTABLE SET @ 3200 PSI	1
17	63-1	KTI WARRANTY LEAD SEAL	1
18	63-2	WIRE FOR RELIEF VALVE	1
19	LCV-08-P-0.3	#8 DIRECT-ACTING POPPET-TYPE CARTRIDGE CHECK VALVE, 0.3 BAR CRACKING PRESSURE	1
20	LSV-08-2-NCP	NC 2W2P POPPET CARTRIDGE	1
21	LC2-08-C-5B	10V DC #8 CYLINDRICAL COIL W/ DUAL SPADE	1
22	VPS-8	SAE #8 (3/4-16) O-RING PLUG	1
23	Q5-6	SAE #6 (9/16-18) PLASTIC SHIPPING PLUG	1
24	VPS-6	SAE #6 (9/16-18) O-RING PLUG	1
25	PL-2.10	PRESSURE LOADED GEAR PUMP (0.1324 IN³/R)	1
26	Q14-031	5/16" STEEL SPLIT LOCK WASHER	2
27	Q16-031-0325	5/16-24 x 3.25" HEX HEAD CAP SCREW, GRADE 5	2
28	21-1	3/8" NPT 90 DEGREE ALUMINUM DIE-CAST INLET ELBOW	1
29	23-1	RECTANGLE CARBON MAGNET	1
30	57-6	3/8" NPT INLET STRAINER, 120 MESH, PLEATED	1
31	52-22	FEMALE SPLINE 9 TOOTH - TO FEMALE SLOT COUPLING	1
32	8181-6	6 QUART PLASTIC OFFSET RESERVOIR	1
33	Q95-025-0050	1/4-20 x 0.50", 6mm HEX FLANGE LOCKING CAP SCREW	4
34	Q38-2	KTI 3/4 NPT PLASTIC PLUG W/ NEOPRENE GASKET	1
35	25-3	KTI 3/4 NPT 40 MICRON AIR BREATHER	1
36	31-9	WARNING LABEL, BATTERY & OIL TEMP	1
37	Q2-4113	O-RING, I.D. 113mm, C/S 4mm. METRIC BUNA, RESERVOIR	1
38	31-2	OIL LEVEL LABEL	1

GENERAL INSTRUCTIONS

- TORQUE PUMP MOUNTING CAPSCREWS TO 15-16 LB/FT.
- TORQUE MOTOR MOUNTING CAP SCREWS TO 8-9 LB/FT.
- TORQUE LRV-080, LCV-08-P-0.3, LSV-08-2-NCP TO 18 LB/FT.
- INSTALL COIL LC2-08-C-5B AND FINGER TIGHT.
- SET LRV-080 TO @ 3200 PSI.
- TORQUE STUDS ON START SOLENOID 391-2-C TO 40 LB/IN.
- 74-04 WIRED COMPLETED.
- TEST COMPLETE PER TS/DC 4348.
- INSTALL ITEM #6(WARNING LABEL) @ SOLENOID POST AFTER THE TEST IS COMPLETED.

PROPRIETARY AND CONFIDENTIAL
THE INFORMATION CONTAINED IN THIS DRAWING IS THE SOLE PROPERTY OF KTI HYDRAULICS INC. ANY REPRODUCTION IN PART OR AS A WHOLE WITHOUT THE WRITTEN PERMISSION OF KTI HYDRAULICS INC. IS PROHIBITED.

UNLESS OTHERWISE SPECIFIED:		NAME	DATE
DRAWN	K.LAI	08/18/15	
CHECKED			
ENG APPR.			
MFG APPR.			
G.A.			
COMMENTS:			

KTI HYDRAULICS INCORPORATED

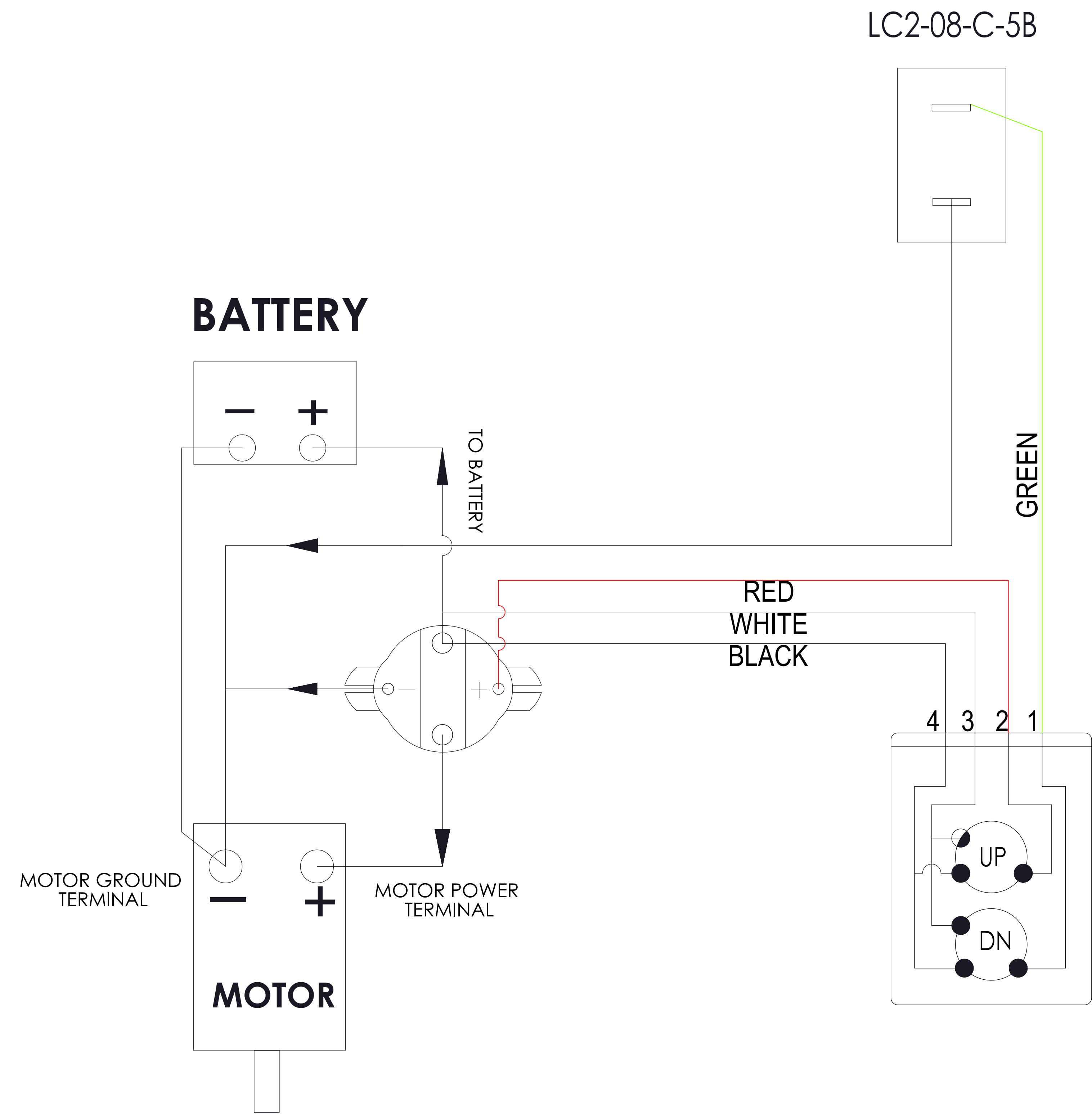
TITLE: KTI 12 V DC POWER UNIT (HORIZONTAL MOUNTING)

SIZE: E DWG. NO.: DC 4348 REV: C

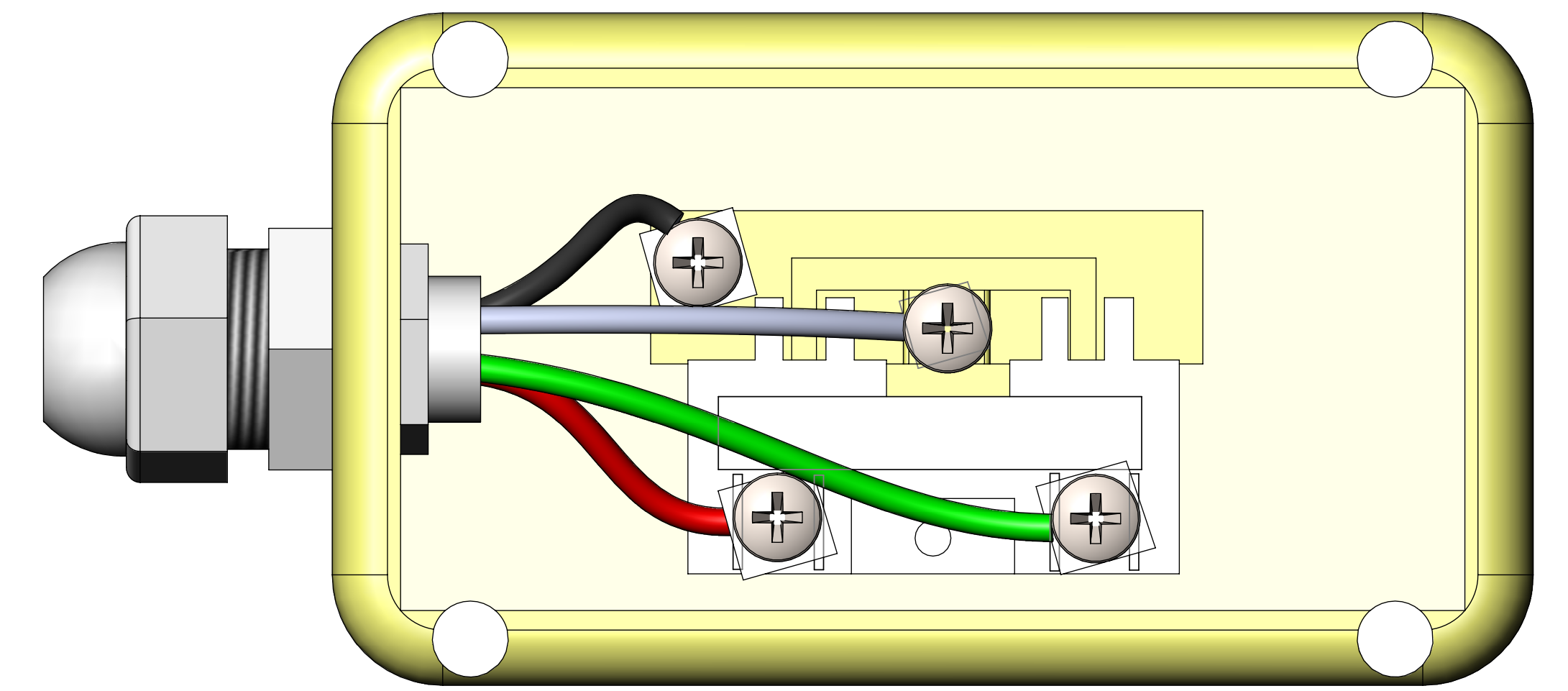
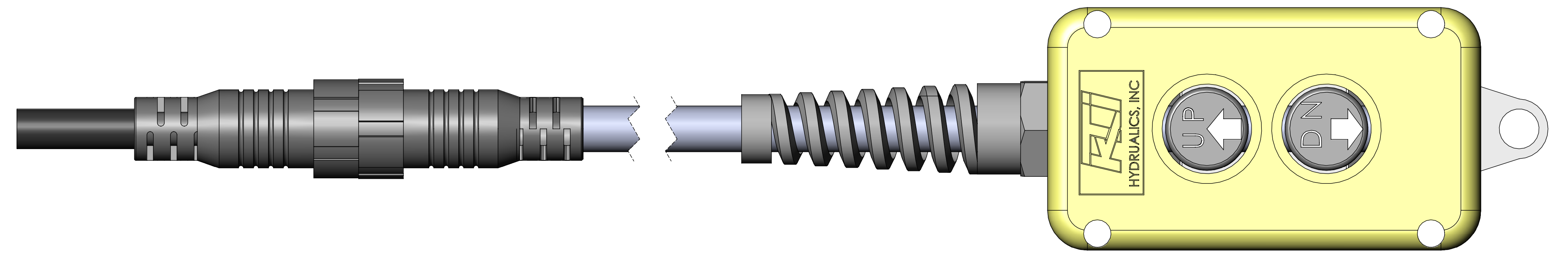
SCALE: 3:4 WEIGHT: SHEET 1 OF 2

APPLICATION	USED ON	FINISH

REVISIONS				
ZONE	REV.	DESCRIPTION	DATE	APPROVED



"UP" = RED WIRE
 "DOWN" = GREEN WIRE
 "COMMON" = WHITE
 "POWER" = BLACK



PROPRIETARY AND CONFIDENTIAL
 THE INFORMATION CONTAINED IN THIS
 DRAWING IS THE SOLE PROPERTY OF
 KTI HYDRAUICS, INC. ANY REPRODUCTION
 IN PART OR AS A WHOLE WITHOUT THE
 WRITTEN PERMISSION OF KTI HYDRAUICS
 INC. IS PROHIBITED.

UNLESS OTHERWISE SPECIFIED:		NAME	DATE
DRAWN	K.LAI	08/18/15	
CHECKED			
ENG APPR.			
MFG APPR.			
Q.A.			
COMMENTS:			
TITLE:		REMOTE WIRING FOR DC 4348	
SIZE	DWG. NO.	REV	
D	DC 4348		
SCALE: 3:4	WEIGHT:	SHEET 2 OF 2	